

GARSS-CUTTING-PRO

Date: 12. May, 2016

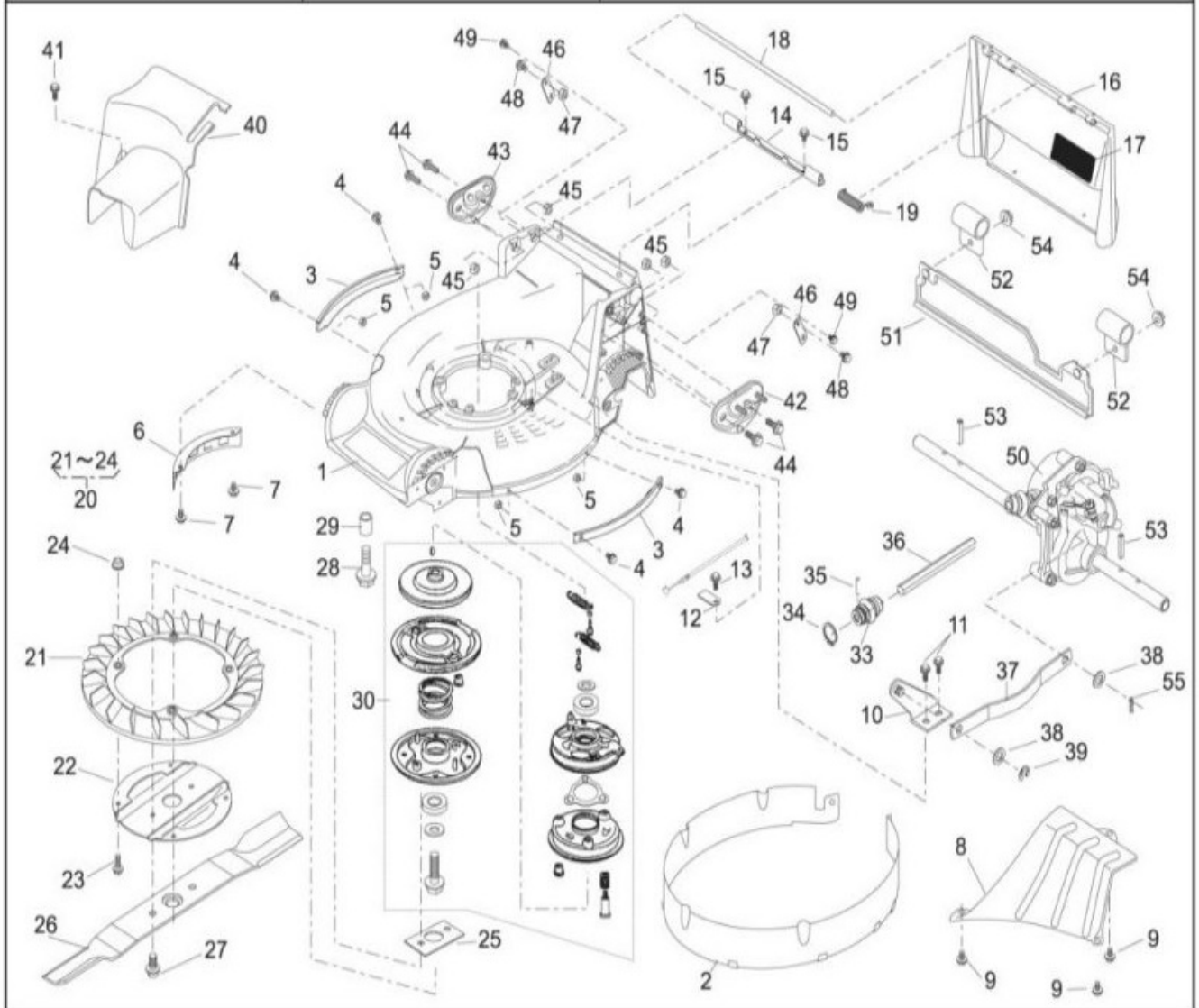
Revision: 00

Page: 1/1

Brand: **KMZ**

Model: LM5360HXA-PRO

Produci Code: 617657



GRASS-CUTTING-PRO

(A): LM5360HXA-PRO

Brand: KAAZ

Date: 12-May-2016

(B):

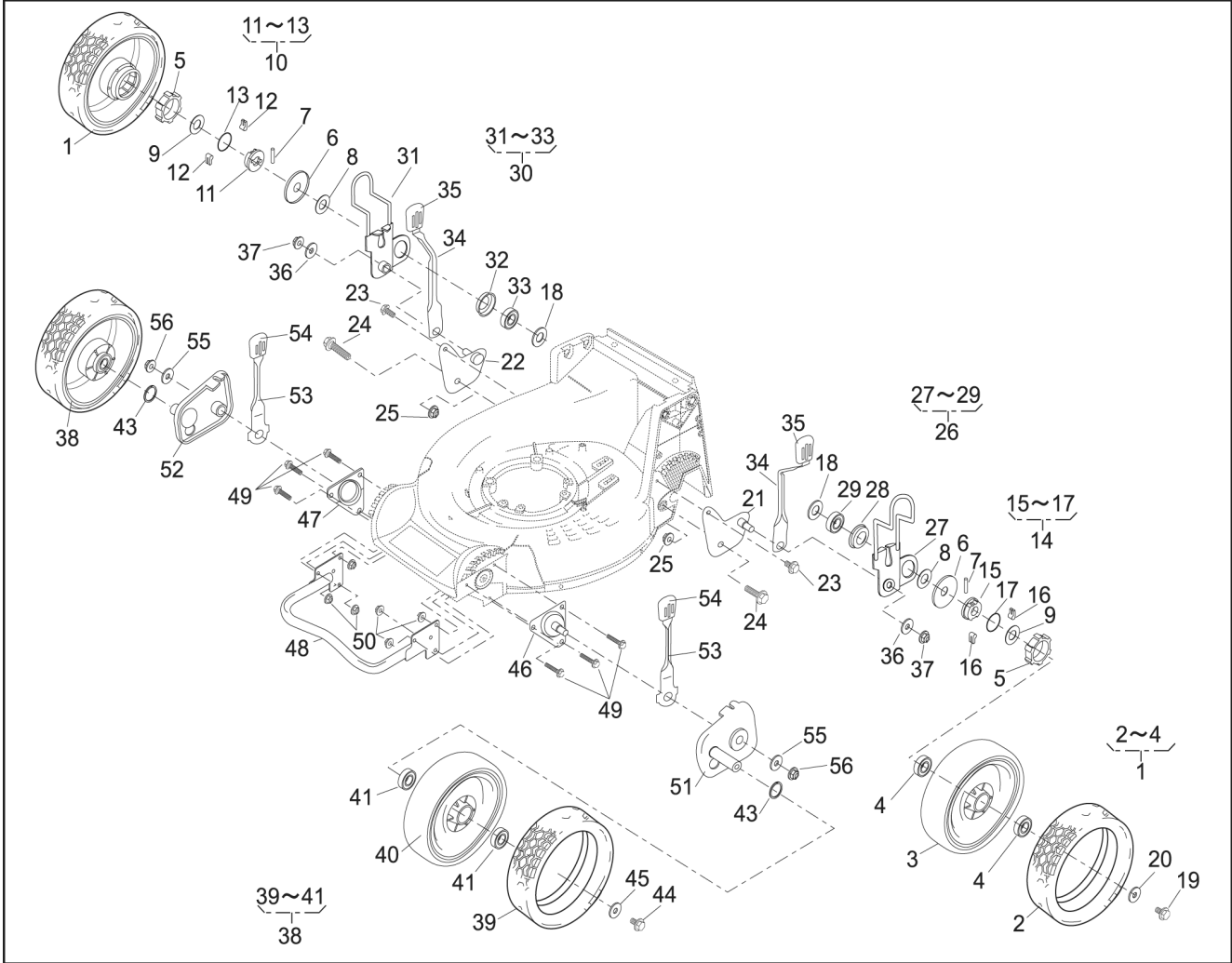
P.cd: 617657

Revision: 00

(C):

Ref.No	Parts.No	Parts.Name	Q'ty			Remarks	Recomm(%) Lot.100
			(A)	(B)	(C)		
1	51043-147-42	HOUSING	1				3
2	36068-197	GUARD	1				10
3	51090-117-09	PROTECTOR	2				5
4	335L0616	FLANGE BOLT	4				3
5	512L0600	HEXAGON NUT	4				3
6	36065-180	COVER	1				3
7	342L0612	FLANGE TAPPING BOLT	2				3
8	36065-436	COVER	1				3
9	342L0612	FLANGE TAPPING BOLT	3				3
10	11006-155	STAY C.P.	1				5
11	342L0612	FLANGE TAPPING BOLT	2				3
12	11113-407	STAY	1				3
13	342L0612	FLANGE TAPPING BOLT	1				3
14	11113-292	STAY	1				3
15	342L0612	FLANGE TAPPING BOLT	2				3
16	36068-196-46	GUARD	1				3
17	36080-149	RUBBER SHEET	1				3
18	64014-324	SHAFT	1				3
19	68013-336	SPRING	1				3
20	71082-111	FAN ASS'Y	1				-
21	51125-103	FAN	1				5
22	11102-151	HOLDER	1				5
23	31062-169	PRE-COAT LOCK BOLT	4				5
24	579L0600	FLANGE NUT	4				5
25	61024-208	SPACER	1				3
26	91014-159-59	BLADE	1				15
27	31057-197	BOLT	2				15
28	31057-243	BOLT	4				3
29	61024-142	SPACER	3				3
30	71067-106	BRAKE A'Y	1				-
33	91097-101	UNIVERSAL JOINT	1				3
34	812V2000	C-SNAP RING	1				1
35	717B0418	PARALLEL PIN	1				5
36	64014-339	SHAFT	1				3
37	91049-129	CONNECTOR	1				5
38	68036-280	WASHER (10.5x18x1.6)	2				3
39	816V0800	E-SNAP RING	1				5
40	36065-438	COVER	1				3
41	342L0616	FLANGE TAPPING BOLT	1				3
42	51116-149	HANDLE BRACKET	1				3
43	51116-150	HANDLE BRACKET	1				3
44	31057-255	BOLT (M8x25)	4				3
45	512L0800	HEXAGON NUT	4				3
46	11113-408	STAY	2				3
47	512L0800	HEXAGON NUT	2				3
48	31057-181	BOLT	2				3
49	342L0612	FLANGE TAPPING BOLT	2				3
50	71008-431	GEAR CASE ASS'Y	1				-
51	36046-150	SAFETY GUARD	1				3
52	11012-126	HANGER BAND	2				3
53	711V0522	SPRING PIN	2				3
54	569L0600	FLANGE NYLON NUT	2				5
55	733L1000	SNAP PIN	1				5
60	122039	GXV160H2-SFL1-R280	1				-

9.6"AI-WHEEL	Date : 12. May, 2016	Revision : 00	Page : 1/1
Brand : KAAZ	Model : LM5360HXA-PRO	Product Code : 617657	

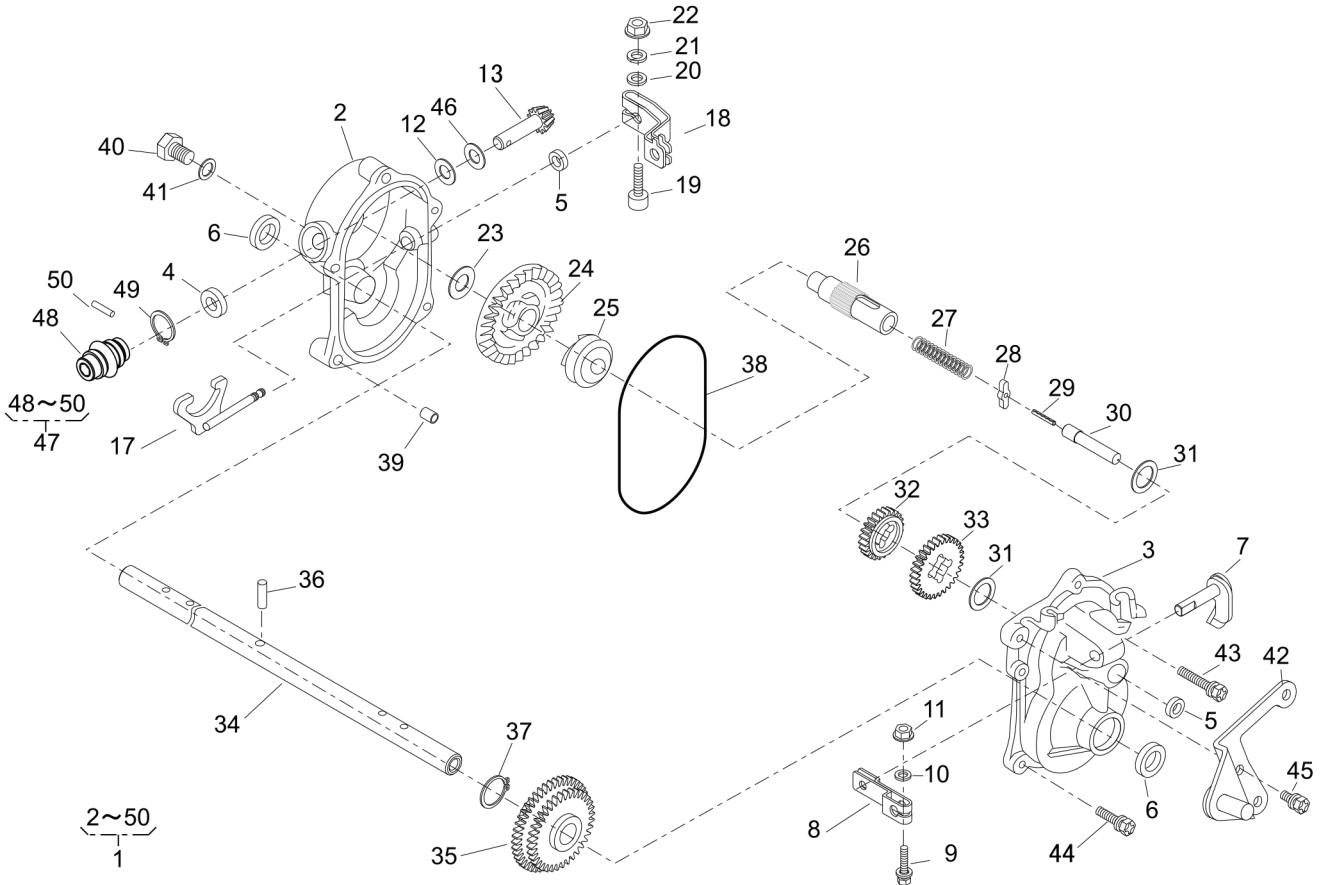


9.6" AI-WHEEL

(A): LM5360HXA-PRO

Brand: KAAZ
P.cd: 617657Date: 12-May-2016
Revision: 00(B):
(C):

Ref.No	Parts.No	Parts.Name	Q'ty			Remarks	Recomm(%) Lot.100
			(A)	(B)	(C)		
1	71041-144	WHEEL ASS'Y	2				3
2	91086-116	TIRE	2				5
4	916B6002	BEARING (6002DDC3)	4				3
5	11086-119	STOPPER	2				3
6	61003-112	THRUST PLATE	2				10
7	31034-137	PIN	2				10
8	68036-270	WASHER (15.2x26x1.6)	2				5
9	68036-146	WASHER (16x31.5x1.0)	2				5
10	71158-101	RATCHET ASS'Y	1				-
11	11102-138	HOLDER	1				10
12	31034-170	PIN	2				10
13	68013-266	SPRING	1				10
14	71158-102	RATCHET ASS'Y	1				-
15	11102-138	HOLDER	1				10
16	31034-170	PIN	2				10
17	68013-266	SPRING	1				10
18	68036-275	WASHER (15.2x26x3.2)	2				5
19	31057-181	BOLT	2				3
20	68036-101	WASHER (9x25x2.3)	2				3
21	11006-151	STAY C.P.	1				3
22	11006-152	STAY C.P.	1				3
23	342L0612	FLANGE TAPPING BOLT	2				3
24	31057-255	BOLT (M8x25)	2				3
25	569L0800	U-FLANGE NUT	2				3
26	71122-110	ADJUSTER ASS'Y	1				-
27	11142-125	ADJUSTER	1				5
28	11102-228	HOLDER	1				5
29	916B6202	BEARING (6202DDC3)	1				5
30	71122-111	ADJUSTER ASS'Y	1				-
31	11142-126	ADJUSTER	1				5
32	11102-228	HOLDER	1				5
33	916B6202	BEARING (6202DDC3)	1				5
34	11150-105-09	ADJUST LEVER	2				5
35	36061-121	KNOB	2				5
36	613L0800	PLAIN WASHER	2				5
37	569L0800	FLANGE NYLON NUT	2				5
38	71041-145	WHEEL ASS'Y	2				3
39	91086-116	TIRE	2				5
41	916B6002	BEARING (6002DDC3)	4				3
43	51113-119	RING	2				3
44	31057-181	BOLT	2				3
45	68036-101	WASHER (9x25x2.3)	2				3
46	11006-153	STAY C.P.	1				5
47	11006-154	STAY C.P.	1				5
48	11153-112	BUMPER	1				5
49	335L0625	FLANGE BOLT	6				5
50	569L0600	FLANGE NYLON NUT	6				5
51	11142-127	ADJUSTER	1				5
52	11142-128	ADJUSTER	1				5
53	11150-109-09	ADJUST LEVER	2				5
54	36061-121	KNOB	2				5
55	613L0800	PLAIN WASHER	2				5
56	569L0800	FLANGE NYLON NUT	2				5

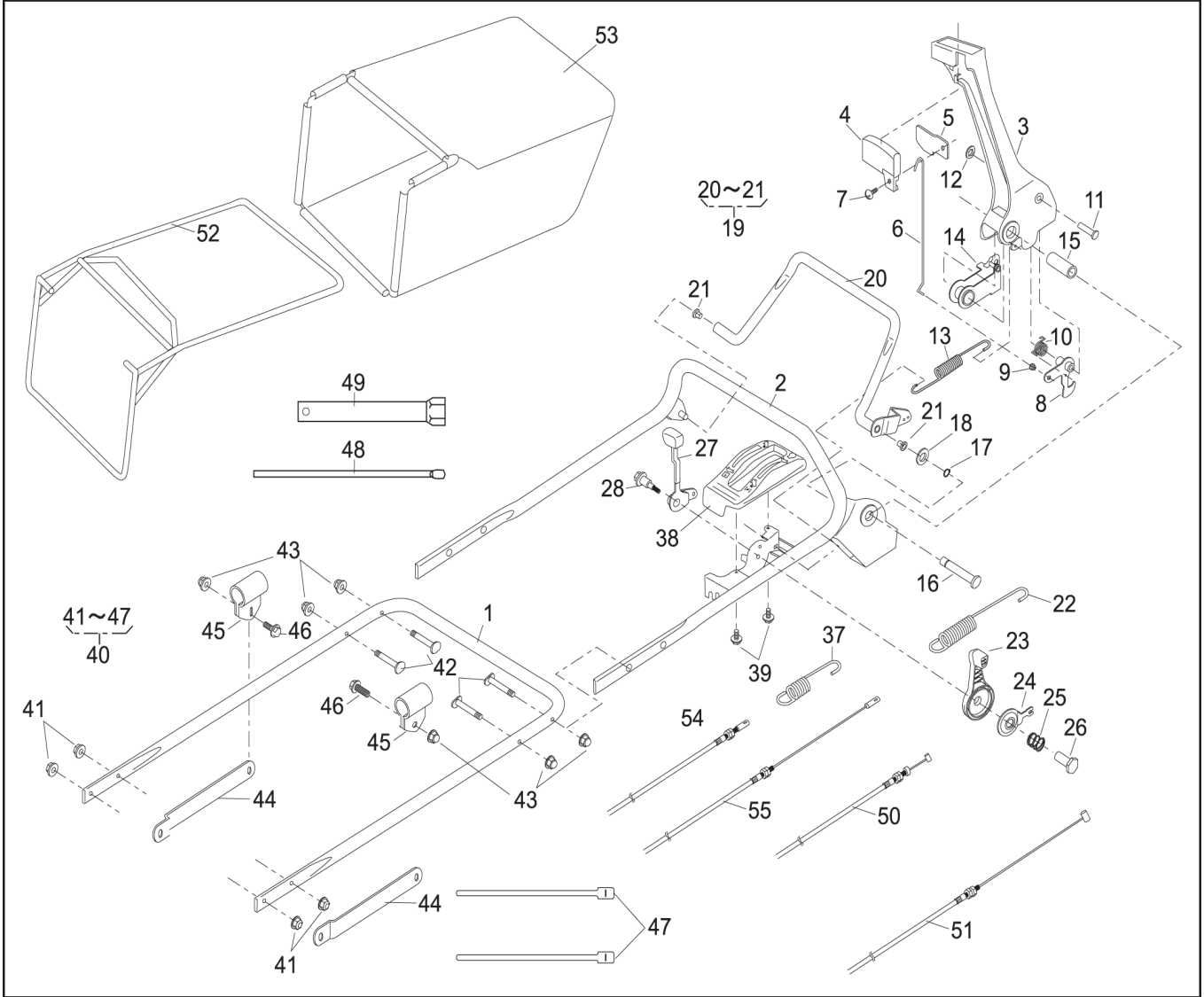


GEAR CASE ASS'Y

Brand:
P.cd: 71008-431Date: 26-May-2023
Revision: 03(A):
(B):
(C):

Ref.No	Parts.No	Parts.Name	Q'ty			Remarks	Recomm(%) Lot.100
			(A)	(B)	(C)		
1	71008-431	GEAR CASE ASS'Y	1				-
2	51001-195	GEAR CASE	1				3
3	51001-196	GEAR CASE	1				3
4	61002-161	OIL SEAL (SD10205)	1				5
5	61002-162	OIL SEAL (SD08144)	2				5
6	61002-163	OIL SEAL (SD15245)	2				5
7	64024-104	SHIFTER SHAFT	1				3
8	11104-119	ARM	1				3
9	320L0525	(+)HEXAGON BOLT (W/PW)	1				3
10	611L0500	PLAIN WASHER	1				3
11	571L0500	FLANGE NUT	1				3
12	61003-109	THRUST PLATE	1				5
13	78003-130	PINION	1				3
17	11097-120	SHIFTER FORK	1				3
18	11104-137	ARM	1				3
19	419U0630	SOCKET SCREW	1				3
20	611L0600	PLAIN WASHER	1				3
21	661L0600	SPRING LOCK WASHER	1				3
22	512L0600	HEXAGON NUT	1				3
23	61003-122	THRUST PLATE	1				5
24	78001-162	BEVEL GEAR	1				3
25	11129-107	CLUTCH	1				3
26	64014-236	SHAFT	1				3
27	68013-262	SPRING	1				3
28	31034-199	PIN	1				3
29	736U0320	SPRING PIN	1				3
30	64014-235	SHAFT	1				3
31	61024-118	SPACER	2				3
32	78004-156	GEAR	1				3
33	78004-155	GEAR	1				3
34	64014-344	SHAFT	1				3
35	78012-107	GEAR C.P.	1				3
36	31034-150	PIN	1				3
37	812V2200	C-SNAP RING	1				1
38	214B11000	O-RING S110	1				5
39	11083-201	COLLAR	2				5
40	31057-262	BOLT	1				3
41	68001-110	FIBER WASHER	1				3
42	11006-191	STAY C.P.	1				5
43	315L0625	HEXAGON BOLT (W/SW,PW)	3				3
44	315L0635	HEXAGON BOLT (W/SW,PW)	2				3
45	318L0612	(+)HEXAGON BOLT (W/SW)	1				3
46	68007-132	SHIM (10.5x18x0.3)	0~2				3
47	91097-101	UNIVERSAL JOINT	1				3
49	812V2000	C-SNAP RING	1				1
50	717B0418	PARALLEL PIN	1				3

HANDLE-PRO	Date : 12. May 2016	Revision : 00	Page : 1/1
Brand : KAAZ	Model : LM5360HXA-PRO	Product Code : 617657	



HANDLE-PRO

(A): LM5360HXA-PRO

Brand: KAAZ

Date: 12-May-2016

(B):

P.cd: 617657

Revision: 00

(C):

Ref.No	Parts.No	Parts.Name	Q'ty			Remarks	Recomm(%) Lot.100
			(A)	(B)	(C)		
1	51027-246	HANDLE	1				3
2	51027-250	HANDLE	1				3
3	11095-172	LEVER	1				3
4	36110-102	BUTTON	1				5
5	11049-109	SLIDE PLATE	1				5
6	64014-336	SHAFT	1				5
7	376L0612	(+)TRUSS SCREW	1				5
8	71203-135	ARM C.P.	1				3
9	76007-183	BUSH	1				3
10	68013-371	SPRING	1				3
11	31056-127	GIB-HEADED PIN	1				3
12	576V0600	PUSH NUT	1				3
13	68013-392	SPRING	1				3
14	11109-111	LINK	1				3
15	61023-190	SLEEVE	1				3
16	64014-337	SHAFT	1				3
17	812V0800	C-SNAP RING	1				3
18	613L0800	PLAIN WASHER	1				3
19	71161-114-09	LEVER ASS'Y	1				5
21	76007-131	BUSH	2				5
22	68013-374	SPRING	1				5
23	91010-169	THROTTLE LEVER	1				3
24	61003-113	THRUST PLATE	1				3
25	68013-356	SPRING	1				3
26	31058-168	HEXAGON NUT	1				3
27	11095-117	LEVER	1				3
28	31062-109	PRE-COAT LOCK BOLT	1				3
37	68013-161	SPRING	1				5
38	71900-796	COVER ASS'Y	1				3
39	470L0514	(+)TAPPING SCREW	2				3
40	71900-845	BOLT SET	1				3
41	569L0800	FLANGE NYLON NUT	4				3
42	31057-256	BOLT	4				3
43	583L0800	FLANGE CAP NUT	6				3
44	71900-846	BAR SET	1				3
45	11012-132	HANGER BAND	2				5
46	31057-181	BOLT	2				3
47	68028-103	WIRE BAND (GT280)	2				5
48	66008-103	PLUG BOX BAR (8x200)	1				1
49	66006-125	BOX SPANNER	1				1
50	91001-329	THROTTLE WIRE	1				5
51	91003-169	CONTROL CABLE	1				5
52	11062-178	FRAME C.P.	1				5
53	36098-132	GRASS BAG C.P.	1				10
54	91003-125	CONTROL CABLE	1				5
55	91003-170	CONTROL CABLE	1				5